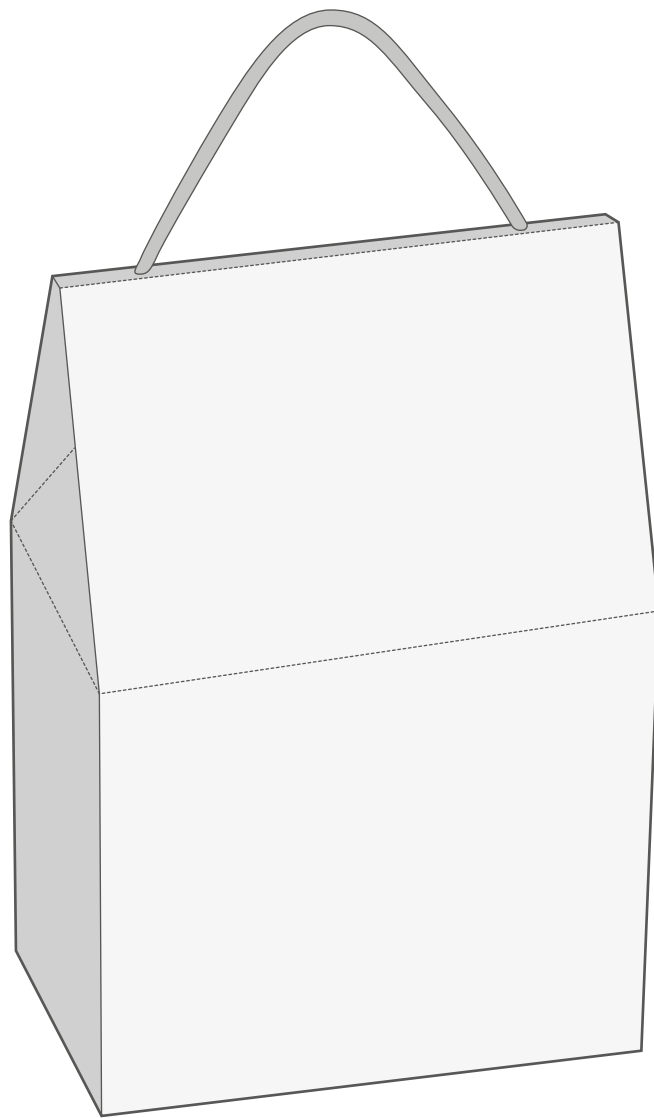


# Assembly instructions

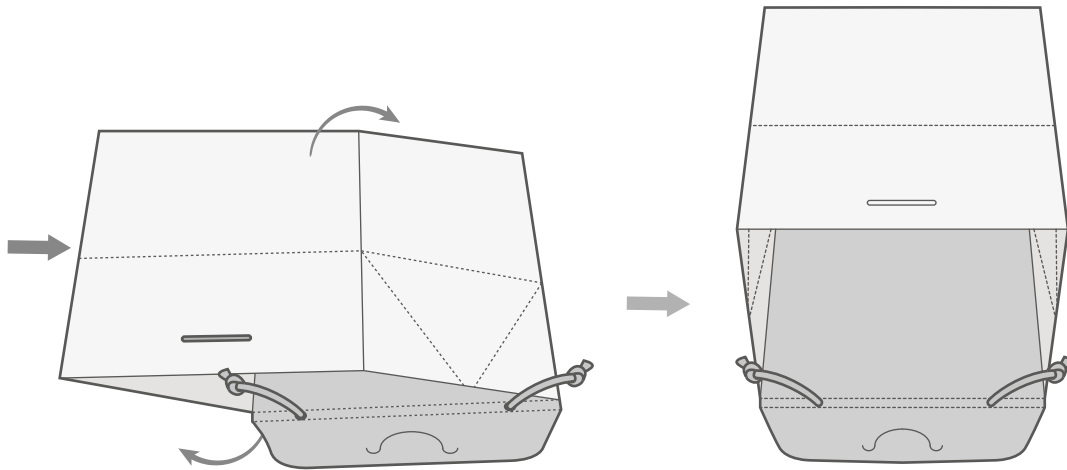
Gingerbread house, Paper bag



## STEP 1:

**Notice:**

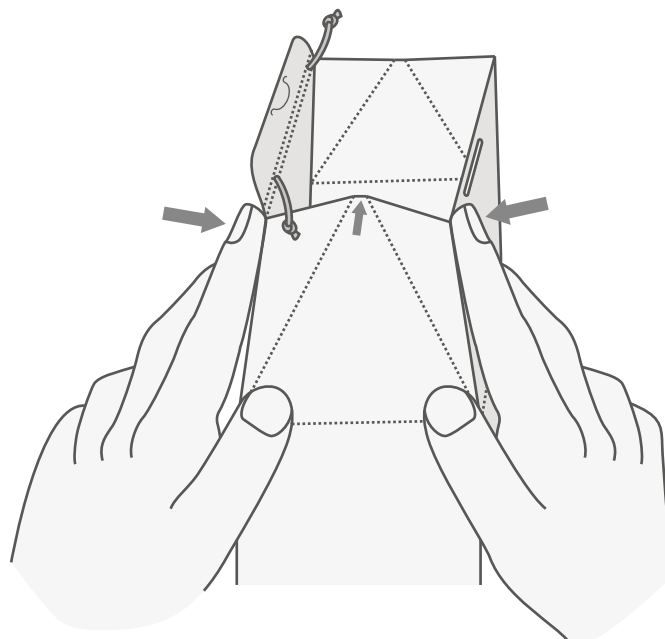
Fold out the bag as shown.



## STEP 2:

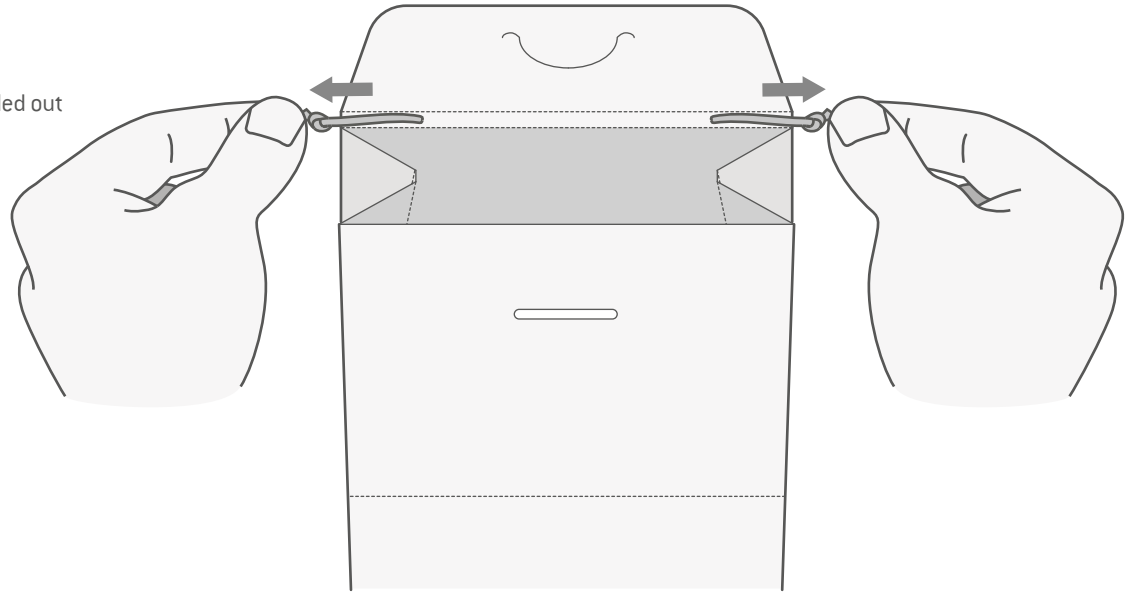
**Notice:**

Pre-fold the perforated lines on the sides before pushing gently with index fingers and bring front and back together, on both sides.



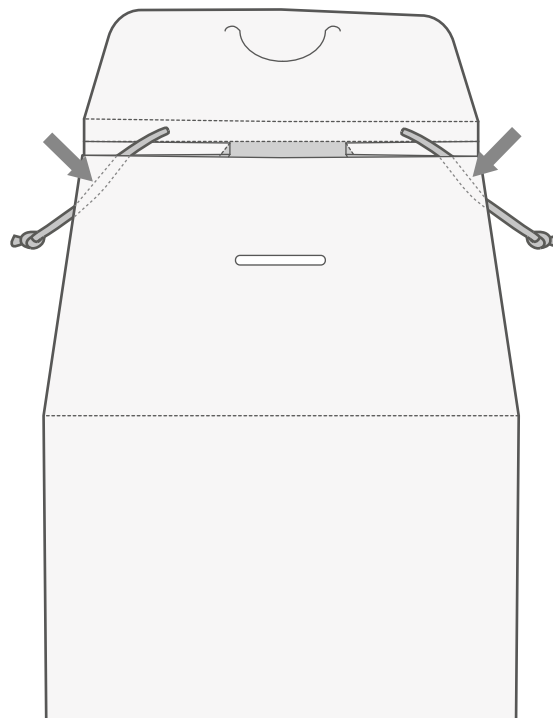
**STEP 3:**

**Notice:**  
Make sure the string is pulled out  
before closing the bag.



**STEP 4:**

**Notice:**  
When closing the bag make sure  
the ends of the string will be placed  
in between the gaps of the bag.



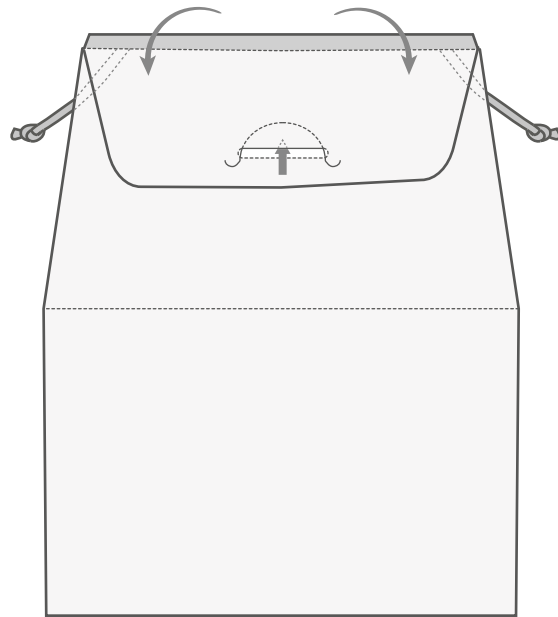
## STEP 5:

**Notice:**

Pull the lid down and make sure it is tighten and close the bag with the little precutted lock

**PRO TIP:**

Make sure the lid have been pre-folded for better fitting.



## FINAL

**Notice:**

Pull up the string and enjoy

